

MODEL 40-100, Codes 121-122

SPECIFICATIONS

Model 40-100 is a four (4) tube battery operated super-heterodyne receiver with electric push-button tuning. This model covers a tuning frequency range of 540 to 1720 K. C. Features of design included in this model are: low current drain tube; automatic volume control and pentode audio output. The differences in the "codes" of this model are in the cabinets. Code 121 is assembled in a table model cabinet and Code 122 in a floor model.

INTERMEDIATE FREQUENCY: 455 K. C.

PHILCO TUBES USED: One 1A7G converter; one 1N5G, I. F. Amplifier; one 1H5G, 2nd Detector, A. V. C. 1st Audio and one 1A5G, Pentode Audio Output.

BATTERY REQUIRED: Philco Type P 60D-11L battery.

BATTERY DRAIN: "A" 200 M. A. "B" 7.2 M. A.

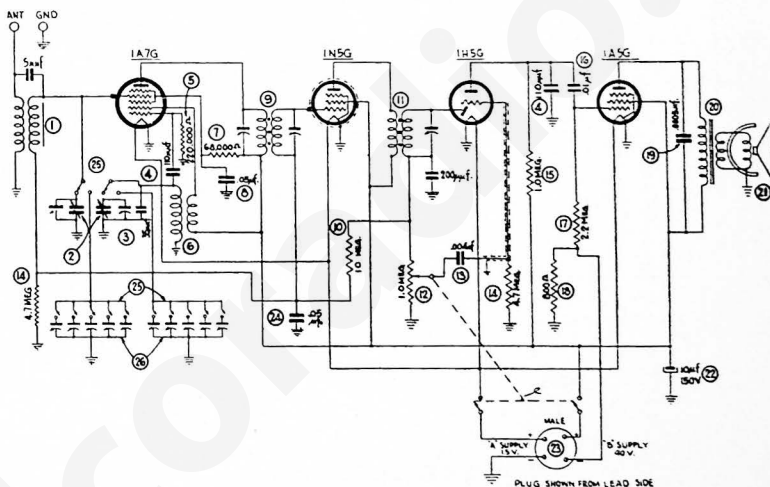
Cabinet Dimensions:	High	Wide	Depth
"T" Cabinet	10 $\frac{7}{8}$ "	17 $\frac{1}{4}$ "	9 $\frac{1}{4}$ "
"F" Cabinet	36 $\frac{7}{8}$ "	23 $\frac{3}{4}$ "	9 $\frac{3}{4}$ "

AERIAL AND GROUND: To obtain maximum operating performance from this model, Philco Farm Radio Aerial Part No. 40-6383 is recommended, in addition to a good ground connection.

ALIGNING PROCEDURE for this model will be found on page 9.

ELECTRIC PUSH-BUTTON TUNING: Five (5) push-buttons are used for the broadcast stations and one push-button for selecting "dial tuning." The push-buttons cover a frequency range as follows: 540 to 1600 kilocycles.

The procedure for adjusting and operating the electric push-button tuning will be found on page (9).



REPLACEMENT PARTS

SCHE. No.	DESCRIPTION	PART No.	SCHE. No.	DESCRIPTION	PART No.	SCHE. No.	DESCRIPTION	PART No.
1	Antenna Transformer	32-3248	21	Speaker	36-1477		Dial	27-5519
2	Variable Condenser	31-2384	22	Electrolytic Condenser (10 mf., 150 v.)	30-2396		Dial Drive Cord Assembly	31-2392
3	Silver Mica Condenser	30-1113	23	Battery Cable	41-3478		Drive Drum (Tuning Condenser)	38-9856
4	Molded Mica Condenser (110 mmf.)	30-1051	24	Tubular Condenser (.05 mf., 200 v.)	30-4519S		Escutcheon (Push-Button)	56-1455
5	Resistor (220,000 ohms, $\frac{1}{4}$ watt)	33-42244	25	Push Button Switch	42-1835		Indicator Assembly	38-9844
6	Oscillator Transformer	32-3214	26	Push Button Condenser Strip	31-6309		Knob (Volume and Tuning)	
7	Resistor (68,000 ohms, $\frac{1}{4}$ watt)	33-368244		Flag Arm Spring	28-8949		Code 121)	27-4321
8	Tubular Condenser (.05 mf., 200 v.)	30-4444		Flag Arm Transfer Lever Assembly	38-9843		Knob Assembly (Volume, Tuning)	
9	1st I. F. Transformer	32-3198		Flag Cam Assembly	38-9723		Code 122)	27-4322
10	Resistor (10 meg., $\frac{1}{4}$ watt)	33-610244		Flag Assembly	38-9844		Knob (Push-Button)	27-4824
11	2nd I. F. Transformer	32-3199					Lever Assembly (Indicator)	38-9843
12	Volume Control (1 meg. and D. P. S. T. Switch)	33-5321					Pointer	56-1164
13	Tubular Condenser (.004 mf., 400 v.)	30-4578					Shaft (Drive Tuning)	31-2395
14	Resistor (4.7 meg., $\frac{1}{4}$ watt)	33-547244					Socket (6 prong)	27-6086
15	Resistor (1 meg., $\frac{1}{4}$ watt)	33-510244					Socket (7 prong)	27-6099
16	Tubular Condenser (.01 mf., 400 v.)	30-4572					Socket (Speaker, Code 122)	27-6115
17	Resistor (2.2 meg., $\frac{1}{4}$ watt)	33-522244					Spring (Dial Drive Cord)	28-8913
18	Resistor (800 ohms, $\frac{1}{4}$ watt)	33-180326					Spring (Indicator Assem. Mtg.)	28-8919
19	Molded Mica Condenser (500 mmf.)	30-1114					Speaker Assembly (Code 121)	36-1477-3
20	Output Transformer	32-8051					Speaker Assembly (Code 122)	36-1488-3
							Tab Kit	40-6172

MISCELLANEOUS PARTS

Bezel (Dial)	56-1453
Cable (Battery—Code 121)	41-3478
Cable (Battery—Code 122)	41-3505
Cone Assembly	
(for Speaker 36-1477-3)	36-4121
(for Speaker 36-1488-3)	36-4129
Cam Assembly	38-9861